



# BRASS BALL VALVE WITH NICKEL PLATED

Model: KVS - 320

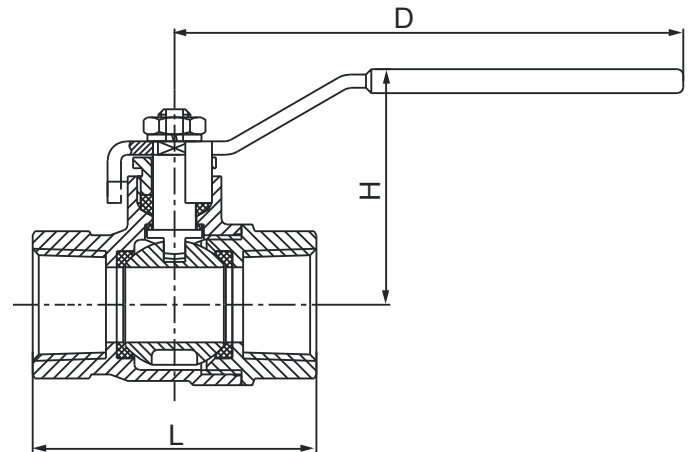
## SPECIFICATION

- Pressure Rating: PN25
- Working Medium: Water, Oil, Steam, Air
- Working Temperature:  $\leq 170^{\circ}\text{C}$
- Full bore chrome plated ball
- PTFE seats and stem seals
- Thread connection: BS21 (ISO 7) / BS EN10226-2



## MATERIALS

Description	Material
Body	Brass CW617N
Ball	Brass CW617N
Seat	P.T.F.E
Stem	Brass CW617N
Lever	Mild Steel
Lever Cover	PVC



## DIMENSIONS (mm)

DN		L	H	D
inches	mm			
15	1/2"	60	45	92
20	3/4"	67	50	92
25	1"	76	56	105
32	1 1/4"	93	73	134
40	1 1/2"	101	78	134
50	2"	122	93	144

\* All dimensions are nominal, actual dimensions may vary