



BRONZE GATE VALVE

Model: KVS - 403

SPECIFICATION

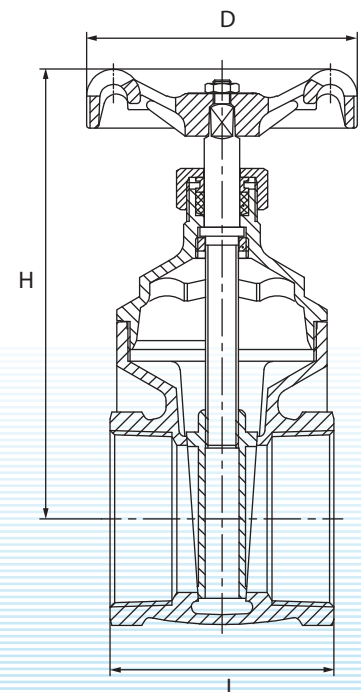
- Designed to BS 5154
- Pressure Rating: PN20
- Working Medium: Water, Oil, Steam
- Working Temperature: < 170°C
- Threaded Bonnet
- End connection: BS21 Taper Threaded (ISO 7) / BS EN10226-2

MATERIALS

| Description | Material |
|---------------|------------------|
| Body | Bronze CC491K |
| Bonnet | Bronze CC491K |
| Stem | DZR Brass CW602N |
| Packing Nut | Brass CW617N |
| Packing | P.T.F.E |
| Stem Bush | DZR Brass CW602N |
| Disc | Bronze CC491K |
| Handwheel | Aluminium |
| Handwheel Nut | Brass CW614N |

DIMENSIONS (mm)

| DN | | L | H | D |
|--------|-----|-----|-----|-----|
| inches | mm | | | |
| 1/2" | 15 | 43 | 78 | 55 |
| 3/4" | 20 | 49 | 92 | 63 |
| 1" | 25 | 54 | 103 | 63 |
| 1 1/4" | 32 | 62 | 116 | 70 |
| 1 1/2" | 40 | 65 | 133 | 80 |
| 2" | 50 | 75 | 156 | 90 |
| 2 1/2" | 65 | 87 | 190 | 110 |
| 3" | 80 | 105 | 215 | 110 |
| 4" | 100 | 124 | 258 | 130 |



* All dimensions are nominal . Actual dimensions may vary