



FIRE ANGLE VALVE

Model: KVS - 830



DESCRIPTION

- Used with a Fire Hose Rack Assembly, or as a Fire outlet connection.

SPECIFICATION

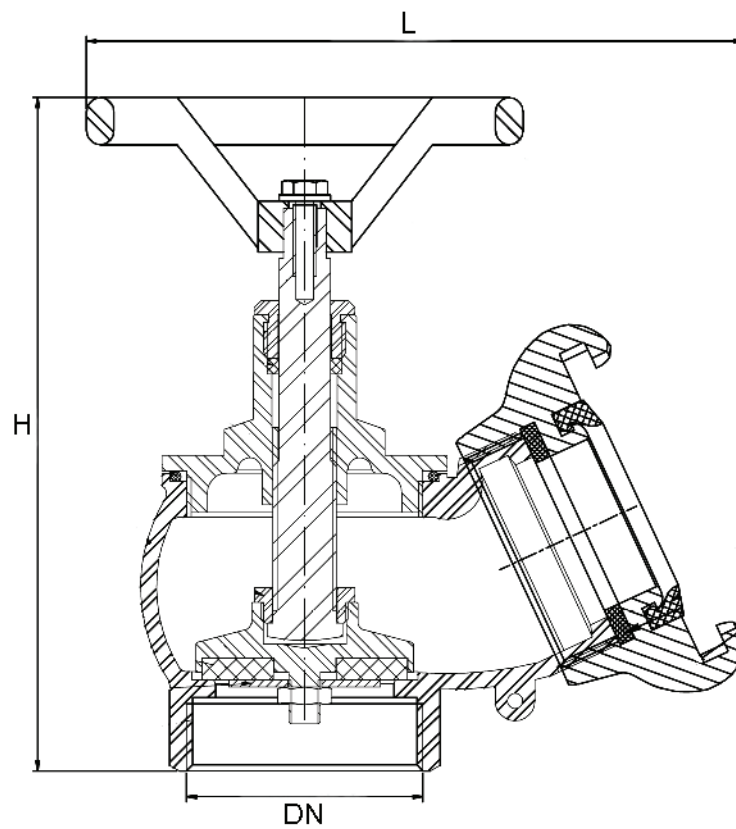
Model	KVS - 830
Valve type	Angle Valve for Fire protection
Nominal size	DN50, DN65
Working pressure	16 Bar
Test pressure	Valve seat test at 16.5 bar, Body test at 22.5 bar
Inlet connection	Brass CW617N
Outlet connection	BS 336 as standard or GOST, NST, NOR, SMS...
Body material	Copper alloy
Handwheel	Aluminium

* All dimensions are nominal . Actual dimensions may vary



FIRE ANGLE VALVE

Model: KVS - 830



DIMENSIONS (MM)

SIZE	L (mm)	H (mm)
2" - DN50	153	145
2.1/2" - DN65	168	168