



FLANGED END FOOT VALVE

Model: KVS - 600 F

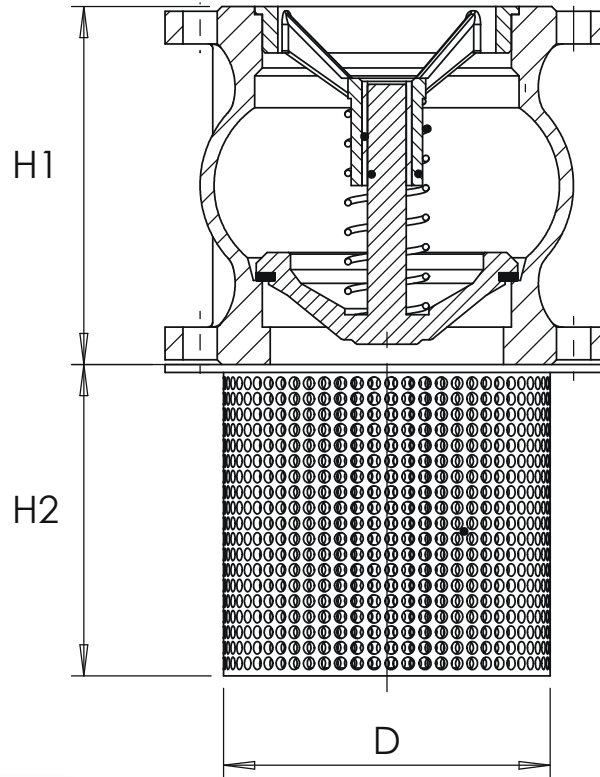


SPECIFICATION

- Working pressure: 16/25 Bar
- Working Temperature: -20°C to 110°C for EPDM
- Working Medium: Water, Oil
- Stainless Steel Screen
- Flanged to BS 4504 / BS EN1092
- Other flange standards available upon request

FLANGED END FOOT VALVE

Model: KVS - 600 F



MATERIALS

Description	Material
Body	Cast Iron / Ductile Iron
Disc	Stainless Steel / Bronze
Seat	Stainless Steel / Bronze
Seat Ring	EPDM / NBR
Bushing	Bronze
Spring	Stainless Steel
Screen	Stainless Steel

DIMENSIONS (mm)

Size	Inches	2"	2 1/2"	3"	4"	5"	6"	8"	10"	12"	14"	16"	18"	20"	24"
	mm	50	65	80	100	125	150	200	250	300	350	400	450	500	600
H1		133	140	152	185	216	229	257	393	362	400	448	476	524	610
H2		68	93	108	138	163	189	208	225	245	270	290	315	340	365
D		114	130	144	177	203	237	290	330	383	470	520	570	630	740