



# OS & Y GATE VALVE

Model : KVS - 4150

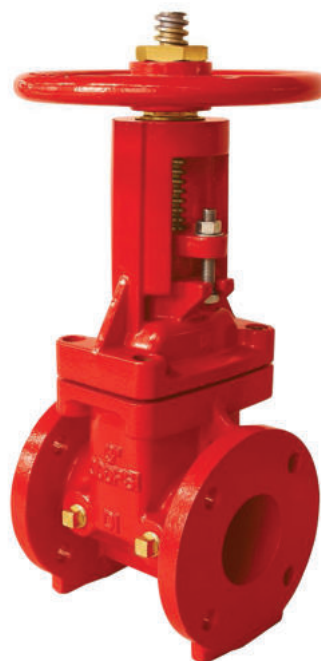


## SPECIFICATION

- Model : KVS-4150
- Dimensions: 2.1/2" - 12" (DN65 - DN300)
- Nominal Pressure: 300 psi (20,6 bar)
- Working Temperature : -10...120°C
- Connections: Flange ends
- Epoxy coating, external and internal

## STANDARD

- Certificate: UL, FM
- Design: FM 1120/1130, UL 262
- Tests: FM 1120/1130, UL 262
- Standards: TS ISO 7005-5



They are defined as local control valves. Generally they are used in water feed lines as interruption valves in order to separate (to control) zones in the location. Butterfly valves or rising stem valves are used in order to shut off or to control the flow. The OS&Y valve in full open position is a type of gate valve that does not hinder the flow; the open position enables the observation of the pin moving up and down and allows for electrical tracking with a tracking (supervisory) switch. Compared to a butterfly valve it has less hydraulic losses.

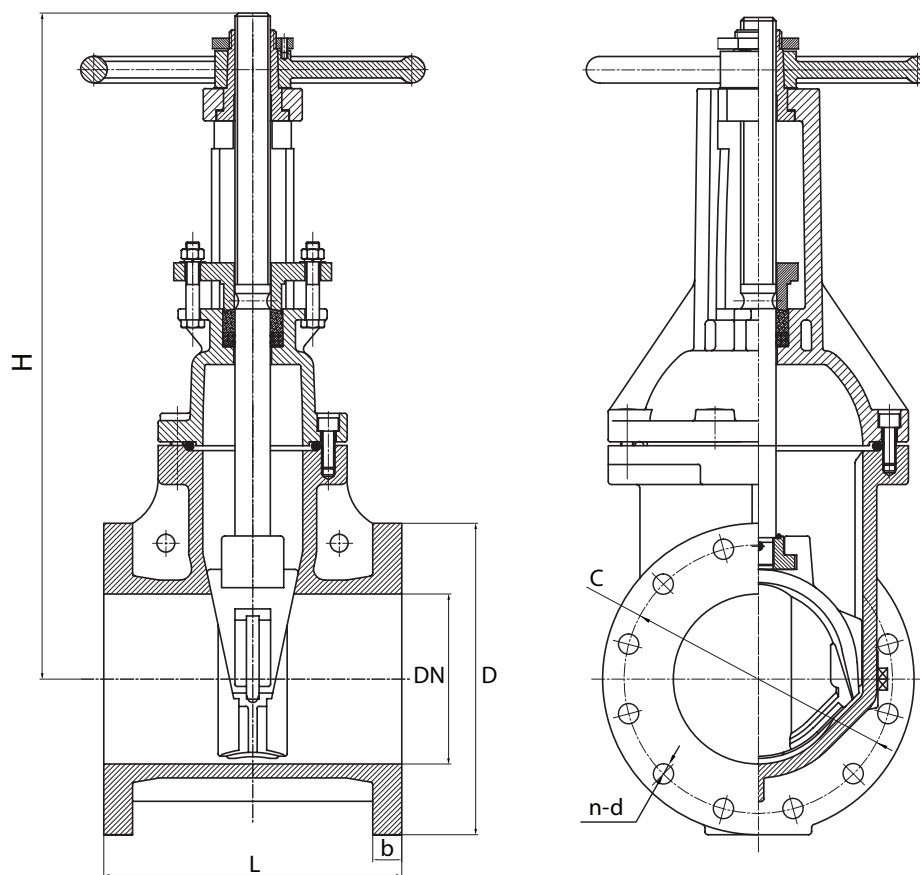
## MATERIAL SPECIFICATIONS

Part Name	Material
Body	DUCTILE IRON
Bonnet	DUCTILE IRON
Packing	PTFE
Disc	DUCTILE IRON + EPDM
Sealing Ring	EPDM
Bolt	STEEL
Gland	DUCTILE IRON
Nut	STEEL
Bolt	STEEL
Handwheel	DUCTILE IRON
Stem	SS304
Gasket	C95400
Sealing Ring	EPDM



# OS & Y GATE VALVE

Model : KVS - 4150



## DIMENSION (mm)

PN		300 psi (20,6 bar)					
DN		L	D	b	c	n-d	H
Inches	mm						
2 1/2"	65	190	178	17.5	139.5	4-ø19	357
3"	80	203	191	21	152.5	4-ø19	411
4"	100	229	229	24	190.5	8-ø19	443
5"	125	254	254	23.9	216	8-ø22	536
6"	150	267	279	25.4	241.5	8-ø22	595
8"	200	292	343	28.6	298.5	8-ø22	739
10"	250	330	406	30.2	362	12-ø25	881
12"	300	356	483	31.8	432	12-ø25	1021