



FIRE ANGLE VALVE

Model : KVS - 835



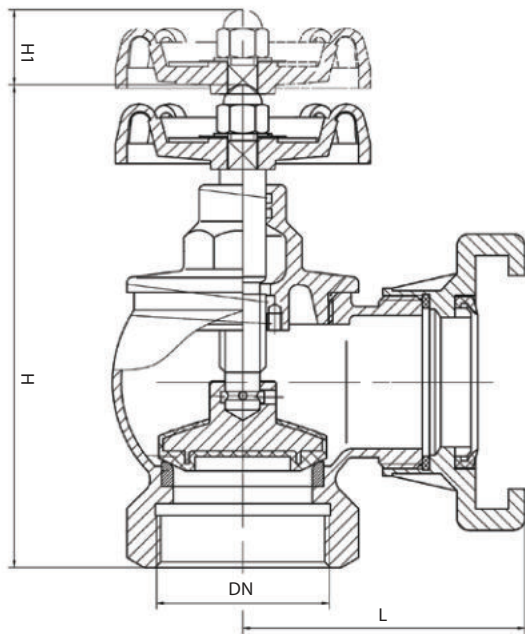
DESCRIPTION

- Used with a Fire Hose Rack Assembly, or as a Fire outlet connection
- Valve type: Angle Valve for Fire protection
- Nominal size: DN50, DN65
- Working pressure: 16 bar
- Strength testing pressure: 24 Bar
- Working temperature: < 170 °C
- Inlet connection: BS21 Taper Thread (ISO 7) / BS EN10226-2
- Outlet connection: BS336, GOST, NST, NOR, SMS...
- Body material: Ductile Iron

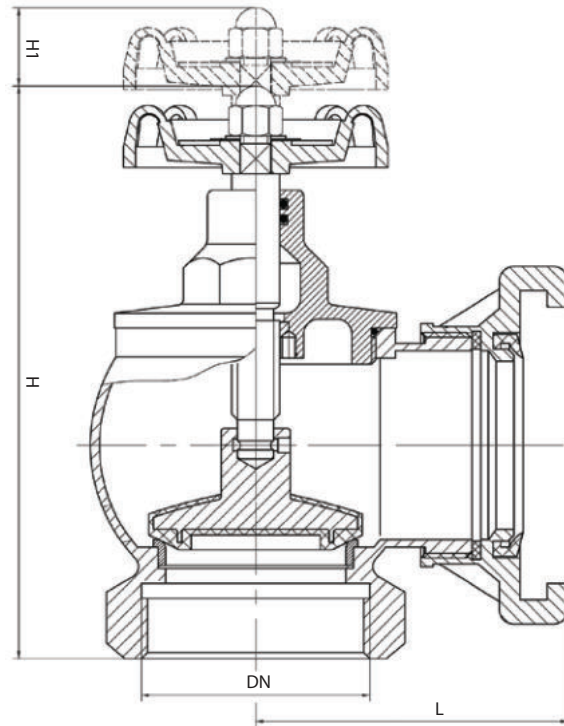


FIRE ANGLE VALVE

Model: KVS - 835



DN50



DN65

MATERIAL

Part Name	Material
Valve Body	Ductile Iron
Valve Seat	Brass
Valve Clack Gasket	Rubber
Valve Stem	Brass
Hand Wheel	Aluminium Alloy
Coupling	Aluminium Alloy

DIMENSIONS (mm)

DN	L	H	H1
50	90~100	165±10	26±4
65	100~110	185±10	26±4