



MULTI-JET DRY TYPE COLD WATER METER

Model: MTM - 55 , MTF - 55



SPECIFICATION

- Body material: Ductile Iron
- Magnetic shield, for external magnetic field protection
- Sealed dry dial register ensures clear reading.
- Magnetic drive, lower transmission resistance.
- ISO 4064 Class B Standard
- Working temperature: Max. 50°C
- Working pressure: 10 Bar
- The meter should be installed in horizontal position
- The meter should be constantly full of water during operation

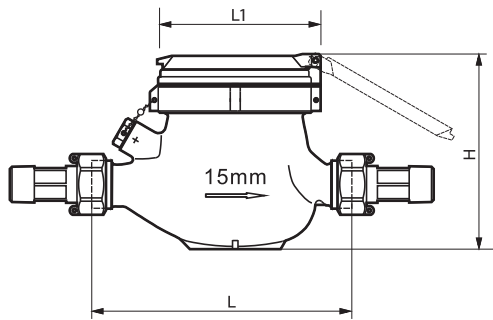
DIMENSIONS (mm)

Nominal diameter		Body length	Overall length	Meter height	Weight
DN		L	L1	H	(KG)
inches	mm				
1/2"	15	165	99	104	1.5
3/4"	20	195	99	106	1.7
1"	25	225	104	120	2.4
1 1/4"	32	260	104	120	2.7
1 1/2"	40	300	125	155	4.5
2"	50	280	165	175	14.0

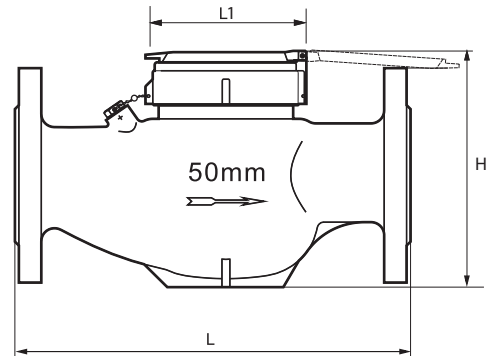


MULTI-JET DRY TYPE COLD WATER METER

Model: MTM - 55 , MTF - 55



DN15 ~ DN40 Screw Connection
(Model: MTM-55)



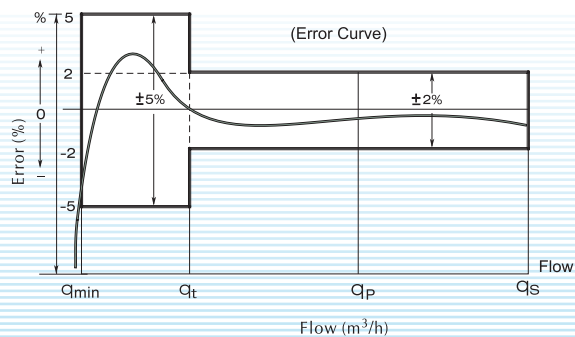
DN50 Flange Connection
(Model: MTF-55)

* The weight and dimensions for reference

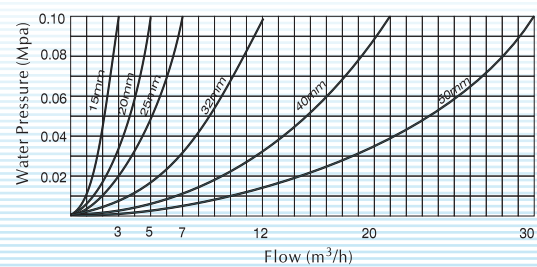
MAIN TECHNICAL DATA

Nominal diameter	DN	15	20	25	32	40	50
Maximum flow rate	m ³ /h Q _{max}	3.0	5.0	7.0	12.0	20.0	30.0
Nominal flow rate	m ³ /h Q _n	1.5	2.5	3.5	6.0	10.0	15.0
Transition flow rate	l/h Q _t	120	200	280	480	800	3000
Minimum flow rate	l/h Q _{min}	30	50	70	120	200	450
Indicating range	m ³	99999				99999	
Minimum reading	m ³	0.0001				0.001	
Minimum scale interval	L	0.05				0.5	
Pressure loss group at Q _{max}	bar	≤1					

Accuracy Curve



Head Loss Curve



Maximum Permissible Error

In the lower zone from Q_{min} inclusive up to but excluding Q_t is ± 5% .

In the upper zone from Q_t inclusive up to and including Q_{max} is ± 2% .