



OS&Y RESILIENT SEATED GATE VALVE

Model: KVS - 400 B



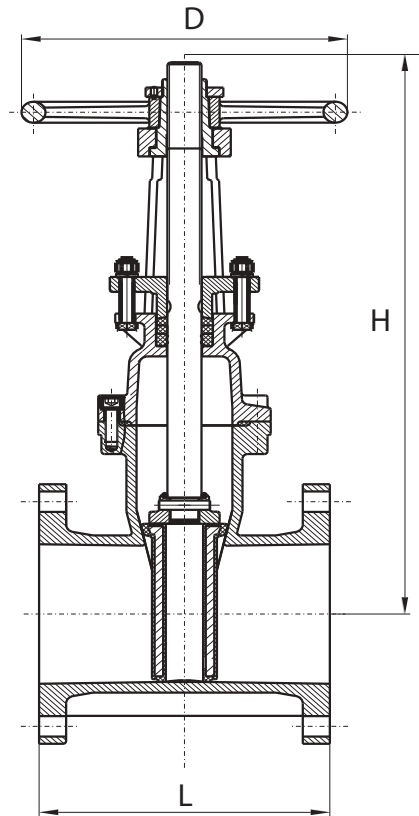
SPECIFICATION

- Designed to DIN3352, BS 5150 / BS 5163
- Pressure Rating: PN16 / PN25
- Working temperature: -10...+100°C
- Working Medium: Water, Fresh water
- Flanged to BS 4504 / BS EN1092-2
- Ductile iron wedge, fully EPDM encapsulated
- Stainless steel stem
- Epoxy coating, external and internal
- Low number of turns to close / open
- Other flange standards available upon request
- ANSI standards available upon request.



OS&Y RESILIENT SEATED GATE VALVE

Model: KVS - 400 B



MATERIALS

Description	Material
Body	Ductile Iron
Wedge	Ductile Iron + EPDM
Trim	Bronze
Bonnet	Ductile Iron
Stem	Stainless Steel 420
Handwheel	Cast Iron

DIMENSIONS (mm)

Size	Inches	2"	2½"	3"	4"	5"	6"	8"	10"	12"	14"	16"
	mm	50	65	80	100	125	150	200	250	300	350	400
L		150	170	180	190	200	210	230	250	270	290	310
H		253	295	356	411	489	563	704	865	995	-	-
D		160	160	200	200	250	250	280	370	370	-	-