

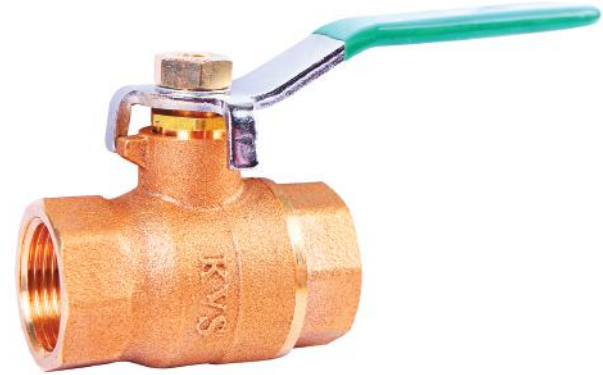


BRONZE BALL VALVE

Model: KVS - 308

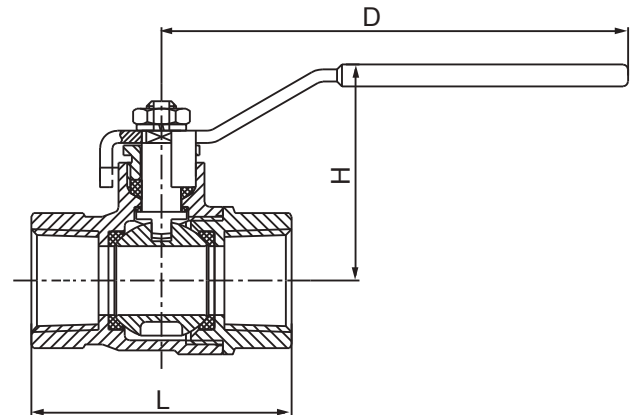
SPECIFICATION

- Pressure Rating: PN20
- Working Medium: Water, Oil, Steam, Air
- Working Temperature: $\leq 170^{\circ}\text{C}$
- Full bore chrome plated ball
- PTFE seats and stem seals
- Thread connection: BS21 (ISO 7) / BS EN10226-2



MATERIALS

Description	Material
Body	Bronze CC491K
Ball	Brass CW617N
Seat	P.T.F.E
Stem	DZR Brass CW602N
Lever	Mild Steel
Lever Cover	PVC



DIMENSIONS (mm)

DN		L	H	D
inches	mm			
15	1/2"	53	44	95
20	3/4"	61	51	110
25	1"	71	55	110
32	1 1/4"	85	65	140
40	1 1/2"	92	70	140
50	2"	114	83	160

* All dimensions are nominal, actual dimensions may vary