



CAST IRON GLOBE VALVE

Model: KVS - 605 F



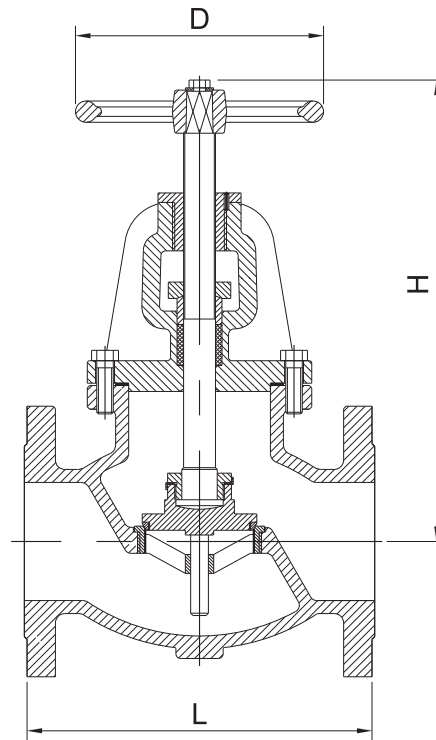
SPECIFICATION

- Designed to BS 5152
- Pressure Rating: PN16 / PN25
- Working Medium: Water, Oil, Air
- Working Temperature: -10...+ 120°C
- Stainless steel stem
- Epoxy coating, external and internal
- Flanged to BS 4504 / BS EN1092
- Other flange standards available upon request
- ANSI standards available upon request



CAST IRON GLOBE VALVE

Model: KVS - 605 F



MATERIALS

Description	Material
Body	Cast Iron, Ductile Iron
Body Seat Ring	Bronze
Disc Seat Ring	Bronze
Stem	Stainless Steel
Bonnet	Cast Iron
Handwheel	Cast Iron

DIMENSIONS (mm)

Size	Inches	2"	2 1/2"	3"	4"	5"	6"	8"	10"	12"
	mm	50	65	80	100	125	150	200	250	300
D		190	190	190	305	305	305	455	455	455
L		203	216	262	292	330	356	495	622	698
H		254	273	292	314	364	400	469	553	634