



# GROOVED END BUTTERFLY VALVE

Model: KVS - 350



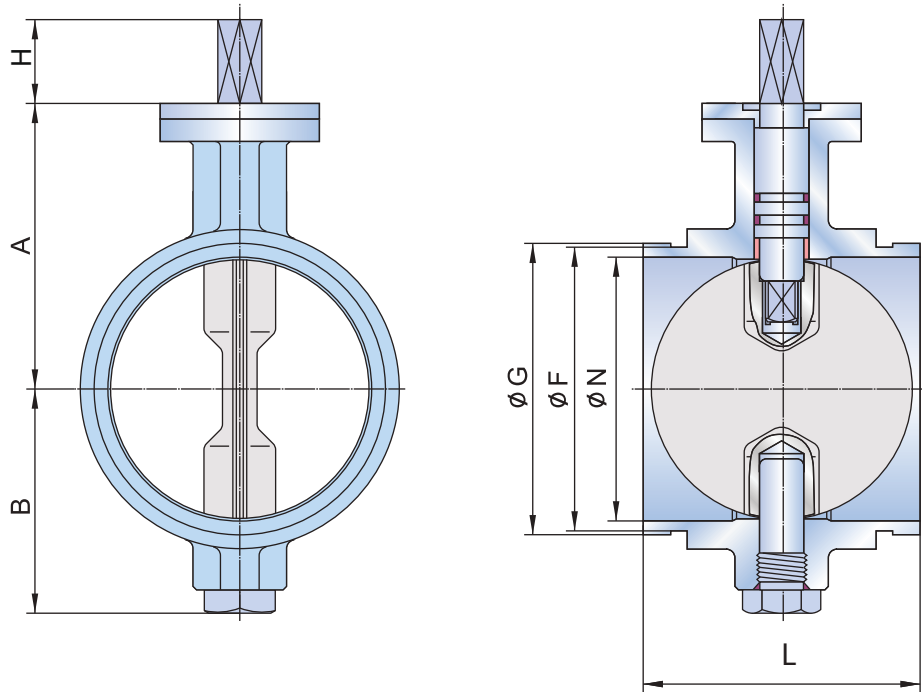
## SPECIFICATION

- Pressure Rating: PN16/PN25
- Working temperature: -10...+120°C
- Working Medium: Water, Sea Water, Oil
- Top Flange conforms to ISO 5211
- Gear box with supervisory switch for fire protection
- Optional chain wheel operator available
- Dimensions for grooved according to ANSI / AWWA standard
- Operated by hand lever, signal gear box for fire protection, electric or pneumatic actuated



# GROOVED END BUTTERFLY VALVE

Model: KVS - 350



## MATERIALS

Description	Material
Stem	Stainless Steel 410
Bushing	PTFE
Disc	Ductile Iron + NBR / EPDM
Seat	EPDM / NBR
Body	Cast Iron / Ductile Iron
Screw	Carbon Steel

## DIMENSIONS (mm)

Size		A	B	H	G	F	N	L
inches	mm							
2"	50	119	63	32	60	57	50	81
2 1/2"	65	125	68	32	73	69	61	96
3"	80	131	80	32	88	85	80	96
4"	100	151	94	32	114	110	101	116
5"	125	171	108	32	114	137	127	147
6"	150	183	123	32	168	163	150	147
8"	200	205	149	41	219	214	202	135
10"	250	250	186	41	273	268	253	158
12"	300	275	213	41	323	318	303	165