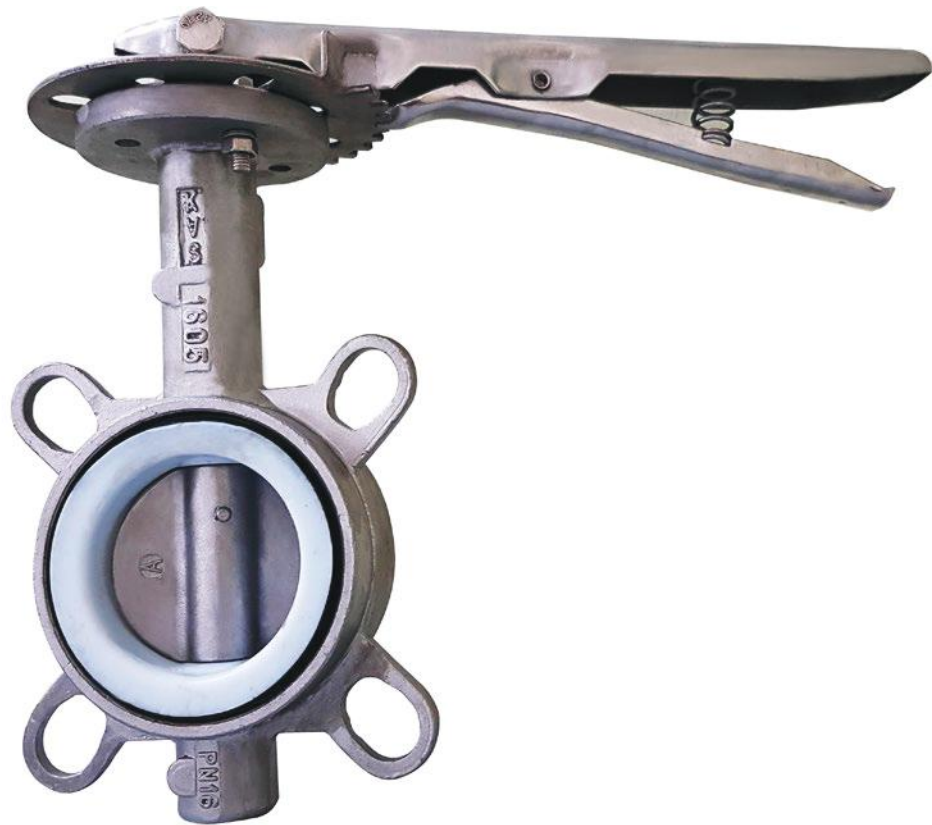




STAINLESS STEEL BUTTERFLY VALVE

Model: KVS - 314



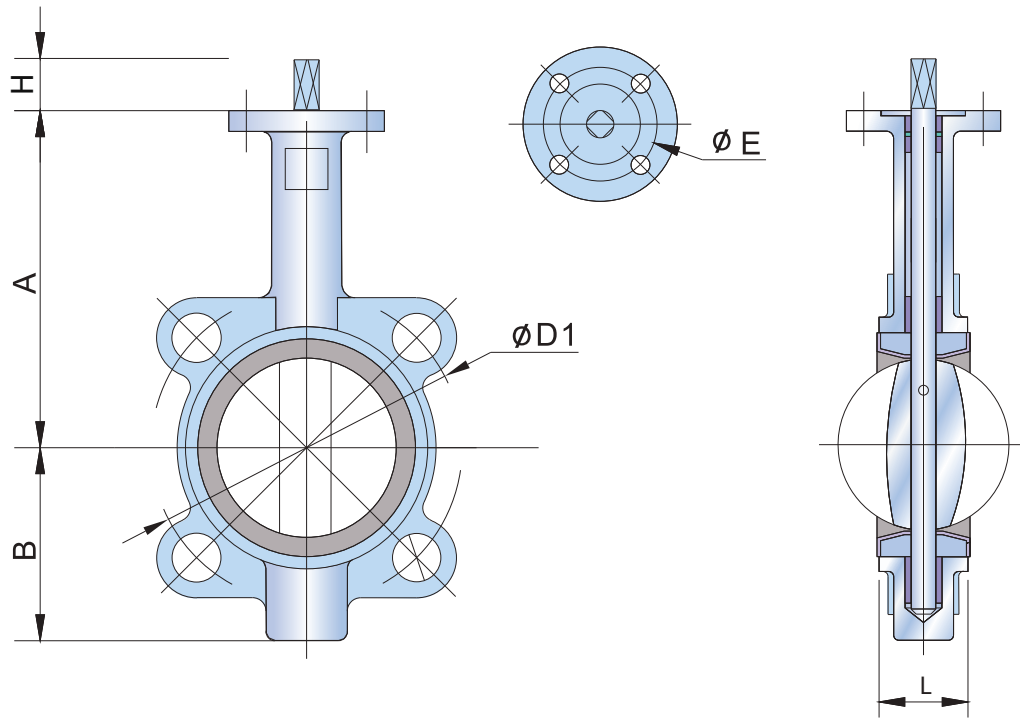
SPECIFICATION

- Designed to BS 5155, JIS Standard
- Pressure Rating: 10/16 Bar
- Wafer and Lugged type available
- Flanged to BS 4504, JIS Standard
- Mounting Flange: ISO 5211
- Application: Chemical/Petrochemical/Processing, Power and Utilities, Paper and Pulp, Food & Beverage, Pharmaceutical



STAINLESS STEEL BUTTERFLY VALVE

Model: KVS - 314



MATERIALS

Description	Material
Body	Stainless Steel 304, 316
Lower Shaft	Stainless Steel 304, 316
Seat	EPDM, PTFE, Viton, Hypalon
Disc	CF8, CF8M
O Ring	EPDM, PTFE,
Upper Shaft	Stainless Steel 304, 316
Lever	Stainless Steel 304

DIMENSIONS (mm)

Size		A	B	L	H	D1
inches	mm					
2"	50	160	80	42	32	125
2 1/2"	65	175	89	44	32	145
3"	80	181	95	45	32	160
4"	100	200	114	52	32	180
5"	125	213	127	54	32	210
6"	150	226	139	55	32	240
8"	200	260	175	60	45	295
10"	250	292	203	65	45	350
12"	300	337	242	76	45	400