



WAFER TYPE BUTTERFLY VALVE

Model: KVS - 300



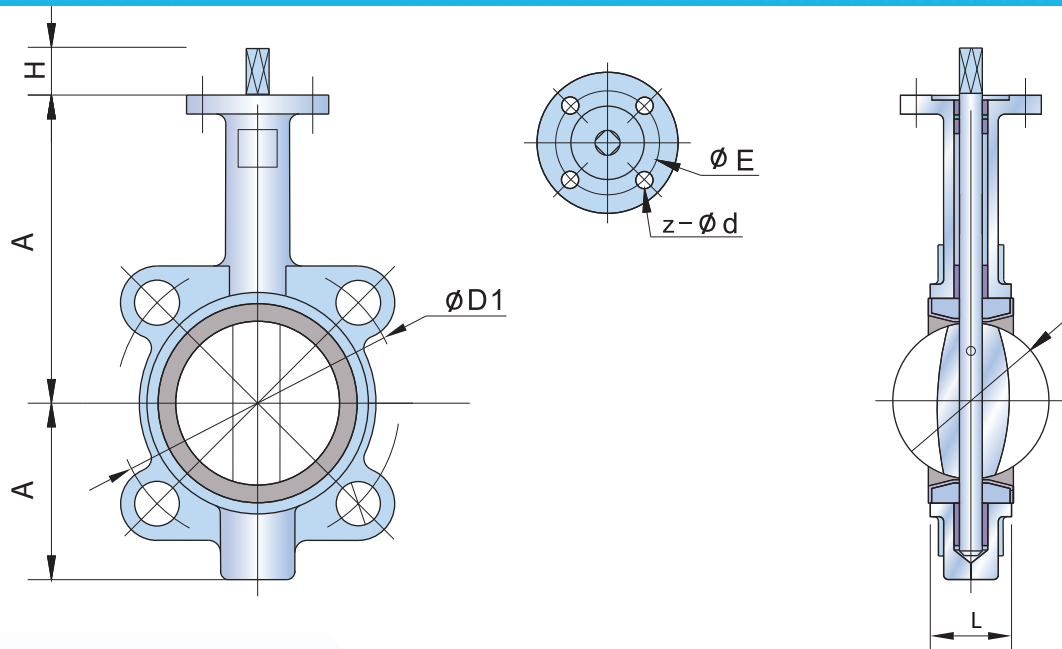
SPECIFICATION

- Designed to BS 5155
- Pressure Rating: PN16/PN25
- Working Medium: Water, Oil, Sea water
- Flanged to BS 4504/ BS EN1092
- Top Flange conforms to ISO 5211
- Lever operator (DN50-200), gear operator (DN250 -600)
- Optional chain wheel operator available
- Suitable with Electric/ Pneumatic actuators



WAFER TYPE BUTTERFLY VALVE

Model: KVS - 300



MATERIALS

Description	Material
Stem	Stainless Steel 410
Taper Pin	Stainless Steel 410
Disc	DI Nickel Plated / Bronze / SS304 / SS316
Seat	EPDM / NBR
Body	Cast Iron / Ductile Iron
Gear	Cast Iron

DIMENSIONS (mm)

Size		B	A	L	C	E	z-d	D1
inches	mm							
2"	50	161	80	42	32	50	4-7	125
2½"	65	175	89	45	32	50	4-7	145
3"	80	181	95	45	32	50	4-7	160
4"	100	200	114	51	32	70	4-9	180
5"	125	213	127	55	32	70	4-9	210
6"	150	226	139	55	32	70	4-9	240
8"	200	260	175	60	45	102	4-12	295
10"	250	292	203	67	45	102	4-12	355
12"	300	337	242	76	45	102	4-12	410
14"	350	368	267	76	45	102	4-12	470
16"	400	400	316	102	51.2	140	4-18	525
18"	450	422	334	114	51.2	140	4-18	585
20"	500	480	370	127	64.2	140	4-18	650
24"	600	562	433	151	70.2	165	4-23	770